

THE "BYRAM"

Single Phase Electric Meter

The "Byram" meter is a very accurate revenue meter (0.2 accuracy Class). The meter provides advanced four quadrant revenue functions, transformer and line loss compensation, and increased data profiling without adding hardware option boards. The main circuit board has a nonvolatile memory for storing profile, data logs, and self read data. With instrumentation profiling, each meter becomes a powerful data collection tool to monitor data and diagnose problems without installing expensive temporary monitoring equipment.

Current Transformers:

Split-Core current transformers are designed with compactness and high current ratio in mind. The pivot hinged design allows for tight tolerance during open/close metering & energy management applications and retrofits without dismantling power-line.



Key Features

- Quick and easy to install
- Available in most common residential wiring configurations
- Low ownership cost
- Fully programmable
- Reliable, revenue grade
- Wide Voltage Range
- Conforms to ANSI electrical standards
- UL recognized safety
- Space saving footprint
- Pulse output capabilities
- Potential for future integration in smart metering mesh network

Meter Kit Includes:

- Revenue Grade Meter
- Calibrated Current Transformers
- Meter Locking Seal (applied after installation)
- Mounting Template
- Meter Manual
- Display Cycle Descriptions
- Terminal Butt Connectors

Optional Features:

- (TOU) Time-of-use
- (LP) Load Profile
- (PQM) Power quality Management
- (I-LP) Instrumentation profiling
- (ADV) Advanced metering (4 Quadrant)
- (A3R) Reactive Meter (Watt/Var)
- (A3K) Apparent Power Meter (Watt/VA)
- Selectable demand intervals
- Alternate communication options:
 - RS232 ANSI
 - RS485 ANSI
 - Ethernet

Power Quality Management

Power quality management (PQM) provides continuous service condition monitoring 24 hours a day. PQM looks for exceptions to user-defined thresholds for items such as voltage, current, and total harmonic distortion. Each of the 12 PQM tests can be configured to control relay activation, LCD warning, date/time stamp log entry, and even an automatic telephone call to report the condition.

Specifications

The "Byram" Single Phase Electric Meter

Voltage

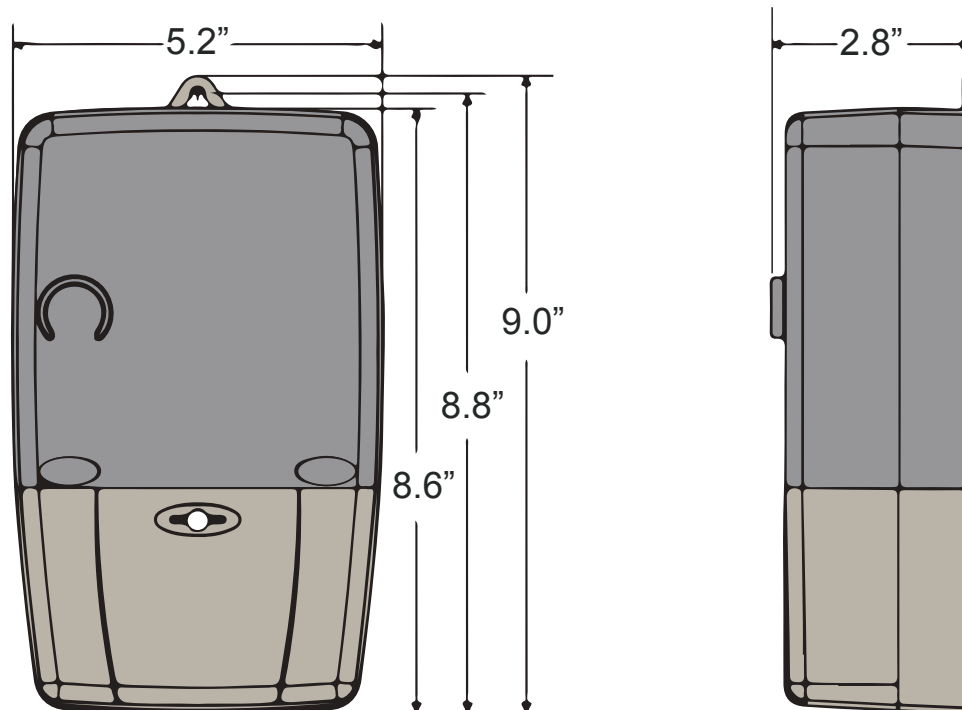
1 phase, 2 wire service	120 VAC \pm 20%
1 phase, 3 wire service	120/208 VAC \pm 20%
1 phase, 3 wire service	240 VAC \pm 20%

Current	200A
Frequency	Nominal 60 Hz \pm 5%
Temperature	-40°F to +131°F (ambient)
Humidity	0% to 100 % (non-condensing)

General performance characteristics

Starting current	100mA
Creep 0.000 A (no current)	No more than 1 pulse measured per quantity, conforming to ANSI C12.1 requirements
Burden	Less than 1.5W
IEC standards compliance	IEC 62052-11, IEC 62052-21, IEC 62053-21
Additional standards	C12.19, C12.22, AS/NZS 4268, NMI M6
Ordering Info:	Call your local distributor for ordering information

ENCLOSURE DIMENSIONS



Information contained herein is subject to change without notice. Product specifications may change. Contact your Byram representative for the most current product information. Printed in the United States.

Byram Laboratories, Inc. | 1 Columbia Rd. Branchburg, NJ 08876 | T +1.800.766.1212 (US toll free) | F +1.908.252.0822
www.byramlabs.com | © 2015 by Byram Laboratories, Inc. | All rights reserved.



12.15 PB-SPBM-1