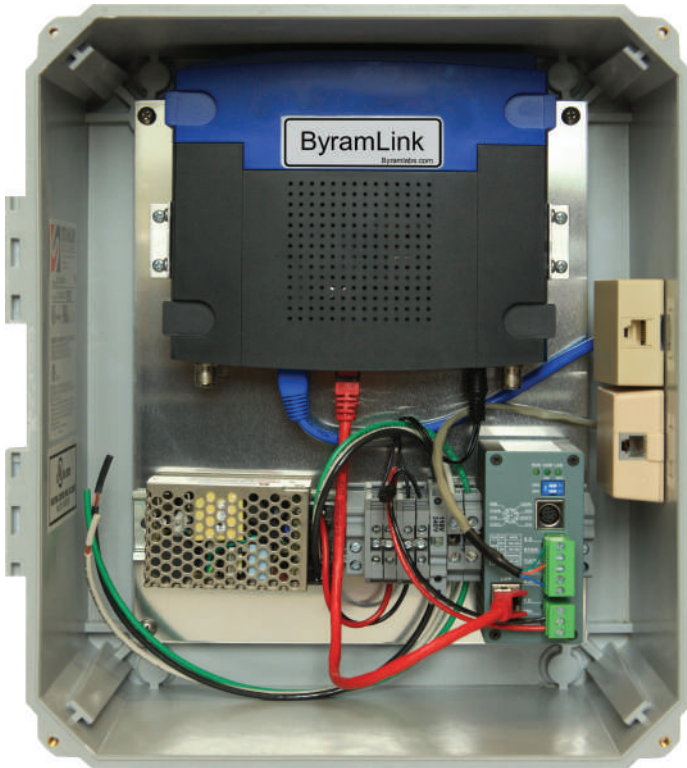


ByramLink AMI Router



The new ByramLink AMI Router from Byram Labs incorporates innovative software with robust industry recognized hardware to bring a unique solution to the meter data back haul arena. The ByramLink expands on the idea of a typical IP serial server by automatically managing and maintaining its own VPN link to the host AMI server. The major benefit of this approach is to circumvent the challenges encountered with dynamic IP assignment. It is often times costly or impractical to configure a network to assign static IP addresses for AMI devices. ByramLink solves this by reaching out to the head-end to establish a persistent tunnel which carries AMI traffic over a secure link. Should the IP assignment on the local network change, the ByramLink will adapt on-the-fly to ensure connectivity to all attached AMI devices.

Designed with simplicity in mind for easy end-user installation

The ByramLink was designed around the simplest possible installation process, making it easy to simply plug in any serial (RS-232/485) device, and be immediately connect to the AMI head-end with no in-field configuration necessary. By condensing serial data and transporting it over an Ethernet connection, this device offers a full duplex, bi-directional data transmission transparent between serial port and a remote network. The ByramLink permits remote troubleshooting, programming, and configuration of your Elster A3 meters and Gatekeeper.

Key Features

- Outdoor rated enclosure carries IP66 and ratings for UL50, cUL50, and NEMA Type 4X
- Selectable RS-232/422/485 serial interface (15 KV ESD protection)
- 10/100 Mbs Ethernet full duplex auto negotiation
- Support for TCP Server/Client, UDP and VirtualCOM mode
- Configurable via serial console, Telnet, Web server, or Windows based utilities
- Internal watchdog timer for high reliability
- Upgradeable firmware via network
- Meter Compatibility: Byram Data Collector / Elster A3 ALPHA and Gatekeeper.
- AC Voltage 120-240 auto ranging
- Minimal set-up reduces installation time to a simple plug-and-play
- Eliminates network configuration challenges
- Robust communication hardware
- Outdoor-rated fiberglass enclosure for extreme durability in demanding environmental conditions.
- Automatic, self-maintaining back haul connection
- No monthly cellular costs
- Provides additional troubleshooting and status monitoring capability.

The New vs The Old

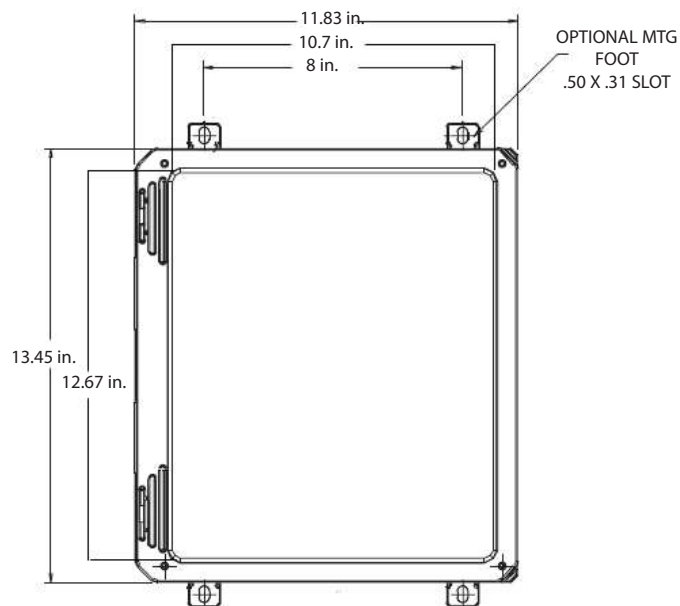
The ByramLink differs from regular IP modules because it does not rely on a static IP for communication. The ByramLink sets up it's own secure VPN to Byram's network allowing the user to connect directly to the Byram network without any unnecessary setup or configuration. Just plug it in and the ByramLink starts working for you.

Specifications

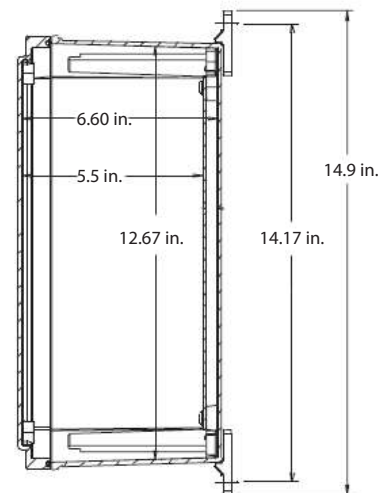
ByramLink AMI Router

AC Voltage	120V to 240V auto ranging
Meter Compatibility	Byram Data Collector / Elster A3 ALPHA and Gatekeeper
Serial Interface	Selectable RS-232/422/485
Support	TCP Server/Client, UDP and Virtual COM mode
Enclosure	Rugged IP66 outdoor-rated
Material	Hot compression molded fiberglass reinforced polyester
Enclosure Temperature	-76°F to +273°F
Width x Height x Depth	13.45 in x 11.83 in x 6.31 in
Weight	9.00 lbs
Additional Ratings	UL50, cUL50, and NEMA Type 4X
Ordering #	1C3631

ENCLOSURE ASSEMBLY TOP VIEW



SIDE VIEW OF ASSEMBLY



Information contained herein is subject to change without notice. Product specifications may change. Contact your Byram representative for the most current product information. Printed in the United States.

A3 Meter is a trademark and/or registered trademark of Elster. Used by permission. Other products may be trademarks and/or registered trademarks of their respective owners.